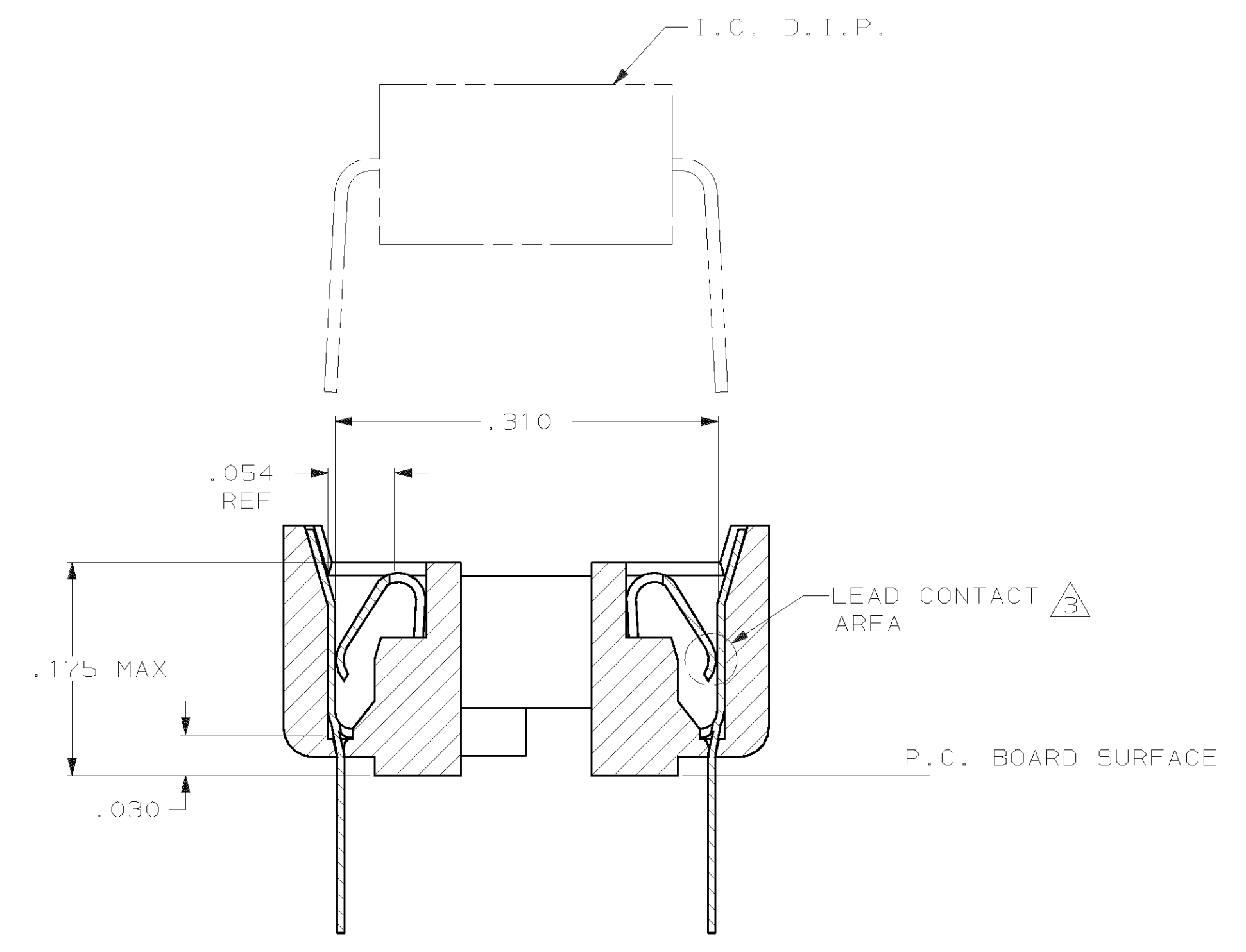
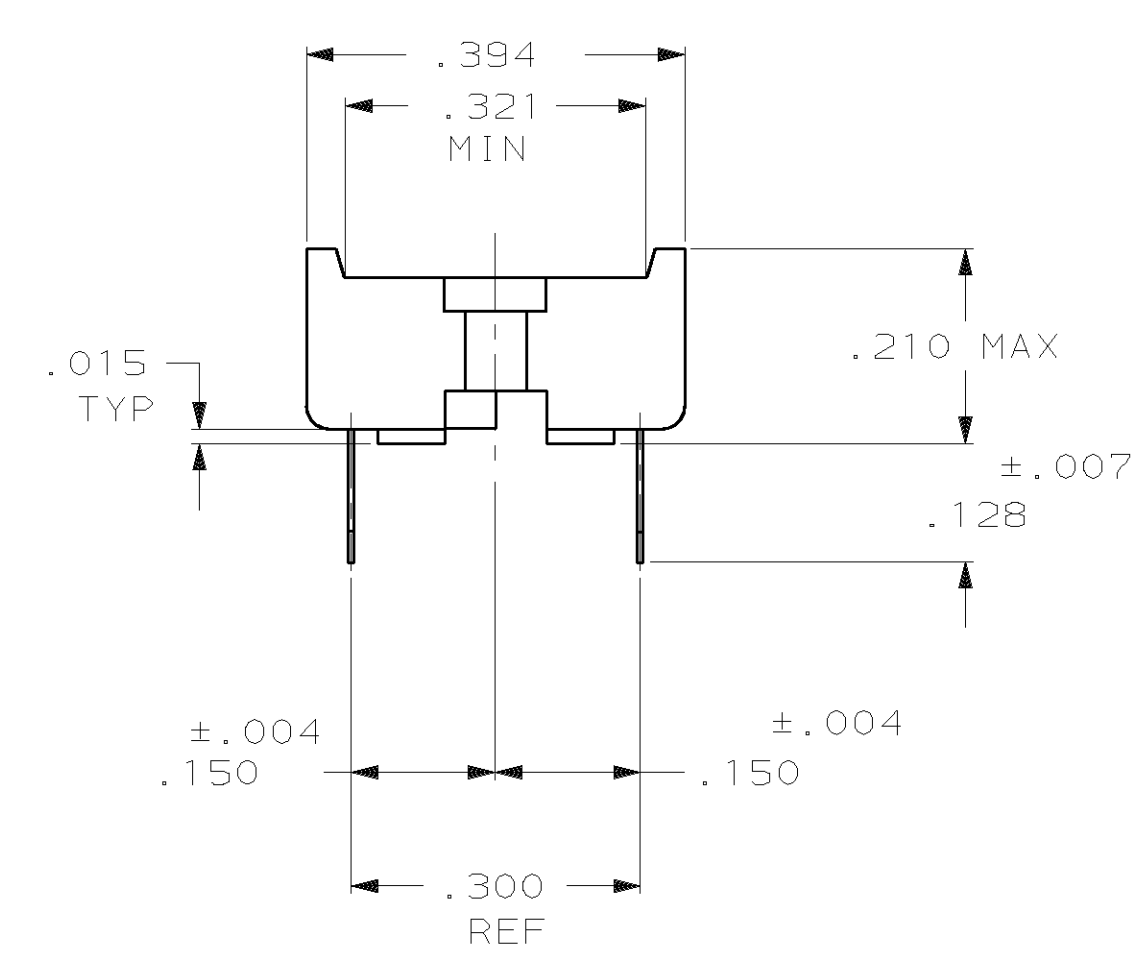
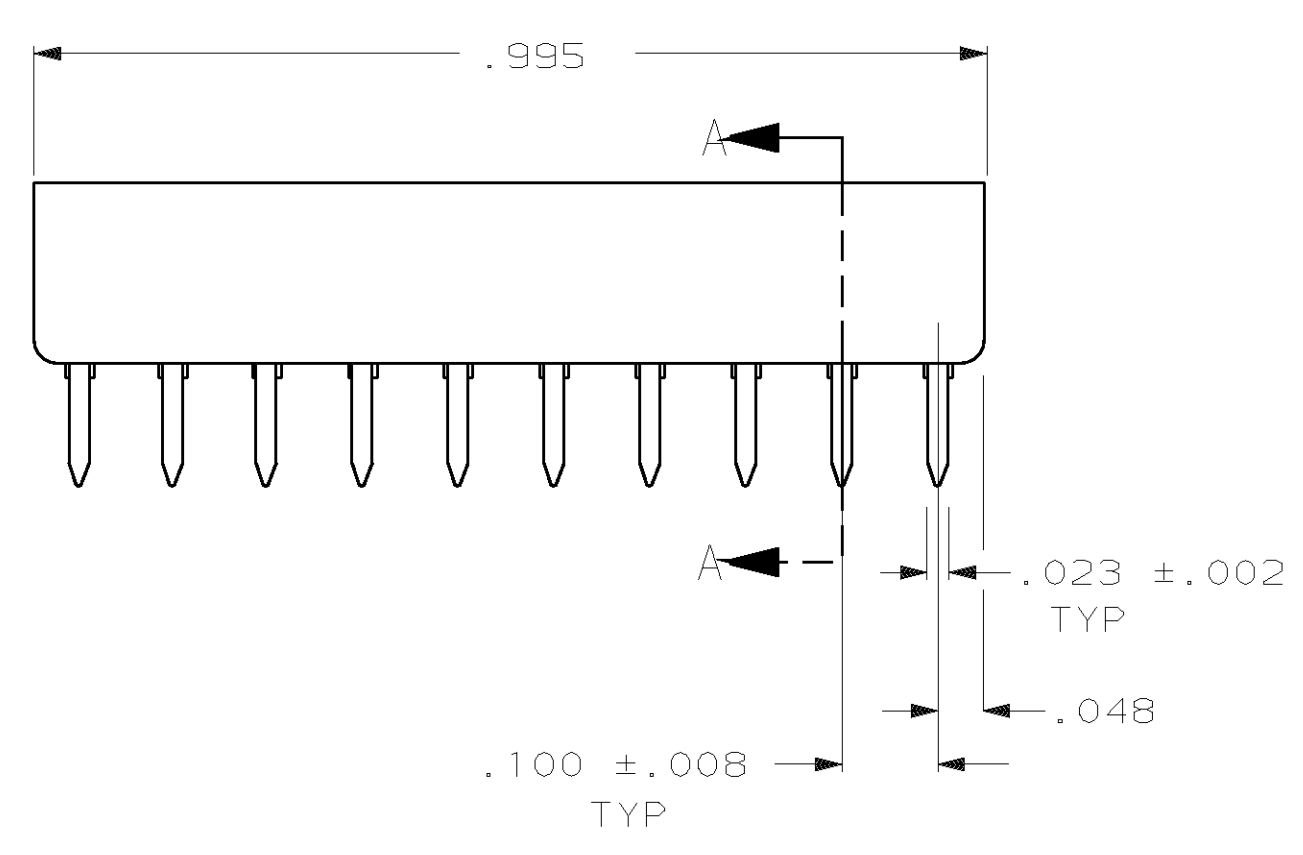
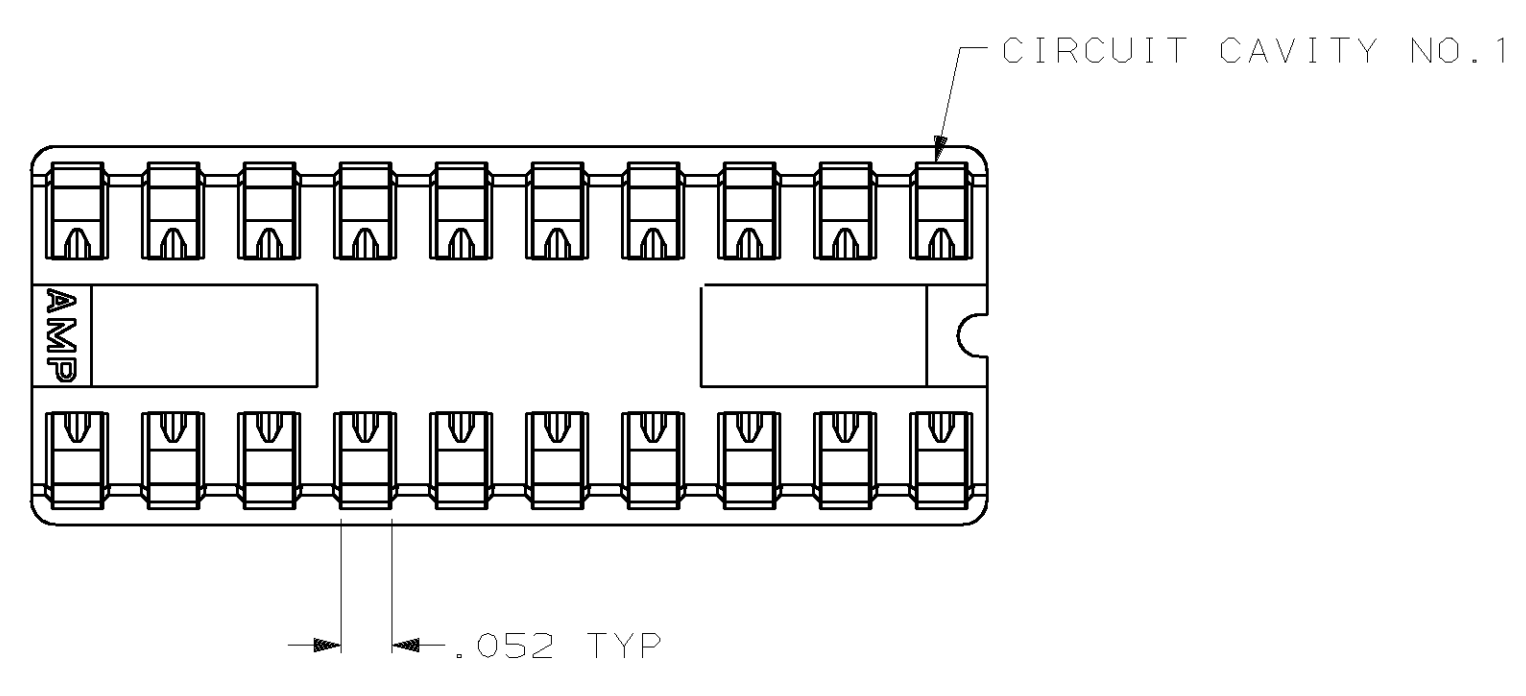
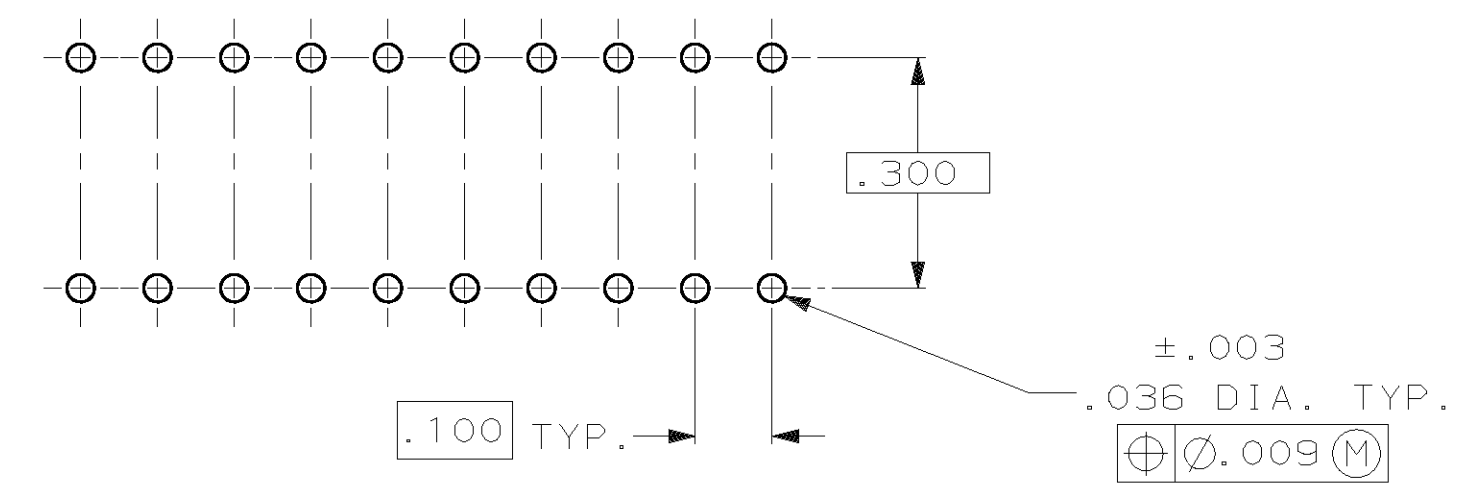


- RECEPTACLE ACCEPTS A .008-.014 THICK I.C. LEAD.
 - TUBE LOADED.
- △ TWO .000015 MIN THK. GOLD STRIPES IN CONTACT AREA WITH TIN-LEAD (93/7) ON SOLDER LEGS, BALANCE OF CONTACT NICKEL PLATED.



SECTION A-A
SCALE 10:1



RECOMMENDED MOUNTING HOLE PATTERN
SCALE 4:1

OBsolete	△	PHOS. BRZ	BROWN GLASS-FILLED PCT	2-382465-4
	TINNED	PHOS. BRZ	BROWN GLASS-FILLED PCT	2-382465-3
OBsolete		BE.CU.	BROWN GLASS-FILLED PCT	2-382465-1
	CONTACT FINISH	CONTACT MAT'L	HOUSING MATERIAL	PART NO.

THIS DRAWING IS A CONTROLLED DOCUMENT.

DWG	K. SALMON	6 MAR 90
CHK	R. MILLER	6 MAR 90
APP'D	R. PRIDDY	8 MAR 90

AMP Incorporated
Harrisburg, PA 17105-3608

AMP
SOCKET ASSY, DIP, HT, 20 POS, DIPLOMATE DL

DIMENSIONS INCHES	TOLERANCES UNLESS OTHERWISE SPECIFIED	PRODUCT SPEC	SIZE	SCALE CODE	DRAWING NO	RESTRICTED TO
0 PLC	±	108-1066	A1	00779	C-382465	-
1 PLC	±	APPLICATION SPEC				
2 PLC	±					
3 PLC	±.005					
4 PLC	±					
ANGLES	±					

MATERIAL SEE TABLE FINISH SEE TABLE WEIGHT - SCALE 5:1 SHEET 1 OF 1 REV G